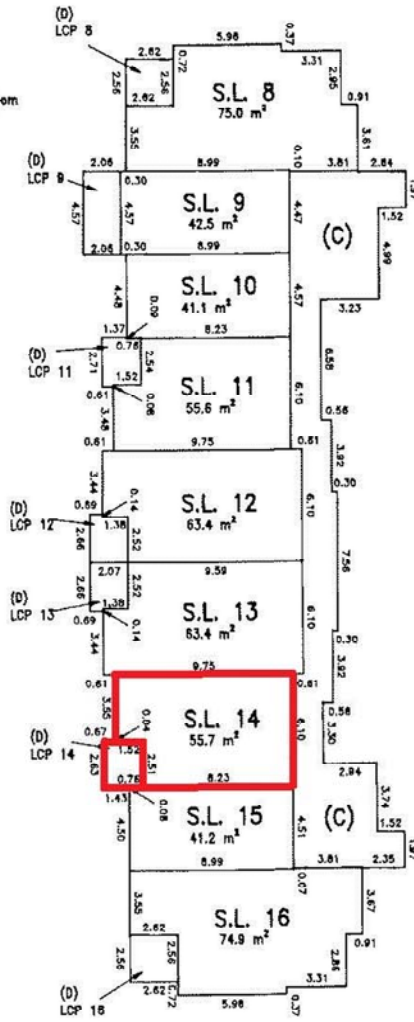
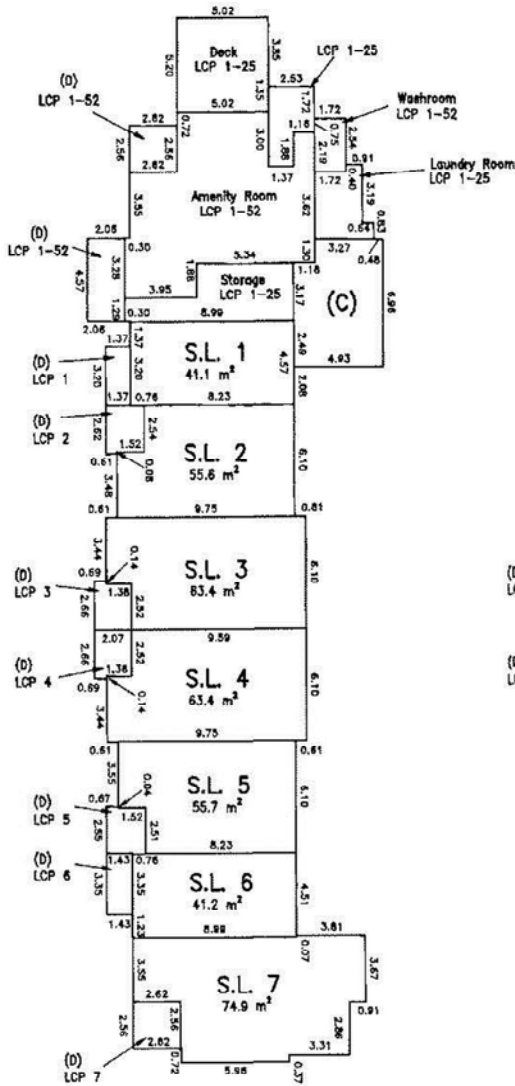
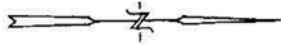
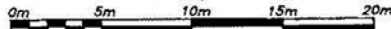


STRATA LOTS 1 - 16, FIRST and SECOND FLOOR, Building 1.

STRATA PLAN KAS 2/98
PHASE 1

SCALE 1: 250 (All distances are shown in metres)



FIRST FLOOR

SECOND FLOOR

LEGEND

- S.L. DENOTES STRATA LOT
- (C) DENOTES COMMON PROPERTY
- (D) DENOTES DECK
- LCP DENOTES LIMITED COMMON PROPERTY FOR STRATA LOT(S)

DATED THIS 17 DAY OF NOVEMBER, 1999.

R. N. SHARP
R. N. SHARP, B.C.L.S.